



Here are the details of the Polly Owners Group Spring Rally 2019 and AGM.

11th May 2019 and fun day 12th May 2019

The rally is kindly being hosted by Fareham and District SME.

The rally will begin immediately after the POG AGM at 10am on 11th May 2019

Please contact Neil Mortimer if you are intending to attend so that the catering arrangements can be made.

Email: Neiljmortimer@gmail.com

Tel: 07900 133201

Look forward to seeing you there.

Spring Rally at Fareham & District SME



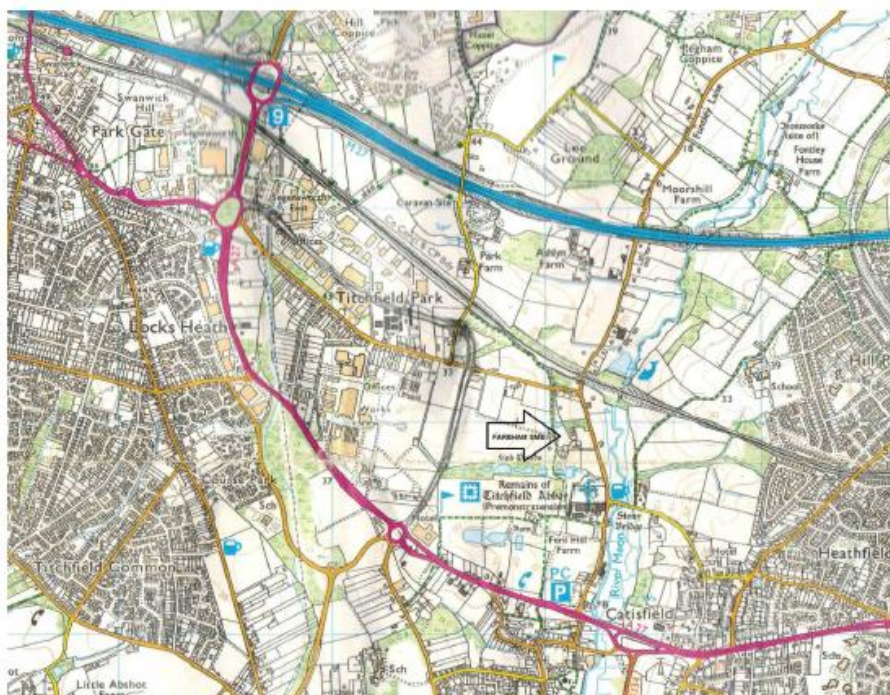
Saturday, 11th May 2019

Additional Information

This will include our AGM@ 10.00 am on Saturday.
As everything will be set up and the club does not public run, the facilities will be available for an additional running day on Sunday 12th as well.

Bacon rolls will be available on both mornings at £1 each. Lunch will be available on Saturday for a donation towards costs. For anyone coming on the Sunday, as it is a club day, please bring their own picnic lunch. Tea and coffee will be available on both days.

There is a caravan site adjacent to the club site for anyone wishing to stay over.
Neil Mortimer



Spring Rally at Fareham & District SME

Visitor information for the 2019 Spring Polly Rally At FDSME Titchfield

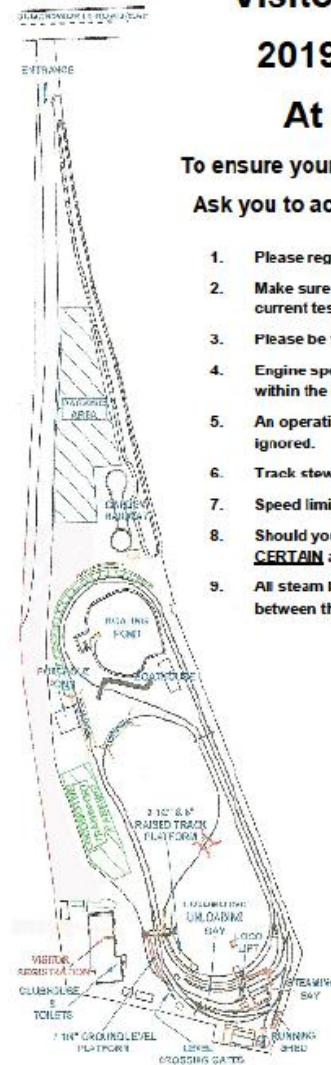
To ensure your visit is a total enjoyable experience we
Ask you to accept the following minimal formalities.

1. Please register at the clubhouse on arrival or as soon as possible.
2. Make sure that if operating an engine with a steam boiler that the current test and insurance certificate details have been recorded.
3. Please be vigilant at all times when running on the track.
4. Engine speed needs to be regulated such that the driver CAN STOP within the line of site at all times.
5. An operating signal **DOES NOT** mean that No 4 above may be ignored.
6. Track stewards instructions must be obeyed at all times.
7. Speed limit for the track as a whole is 6 mph.
8. Should you suffer a breakdown — in the **FIRST INSTANCE** — make **CERTAIN** any following driver is made fully aware.
9. All steam locomotives must run with an adequate safety chain between the loco and tender and the trolley that the driver is sat on.

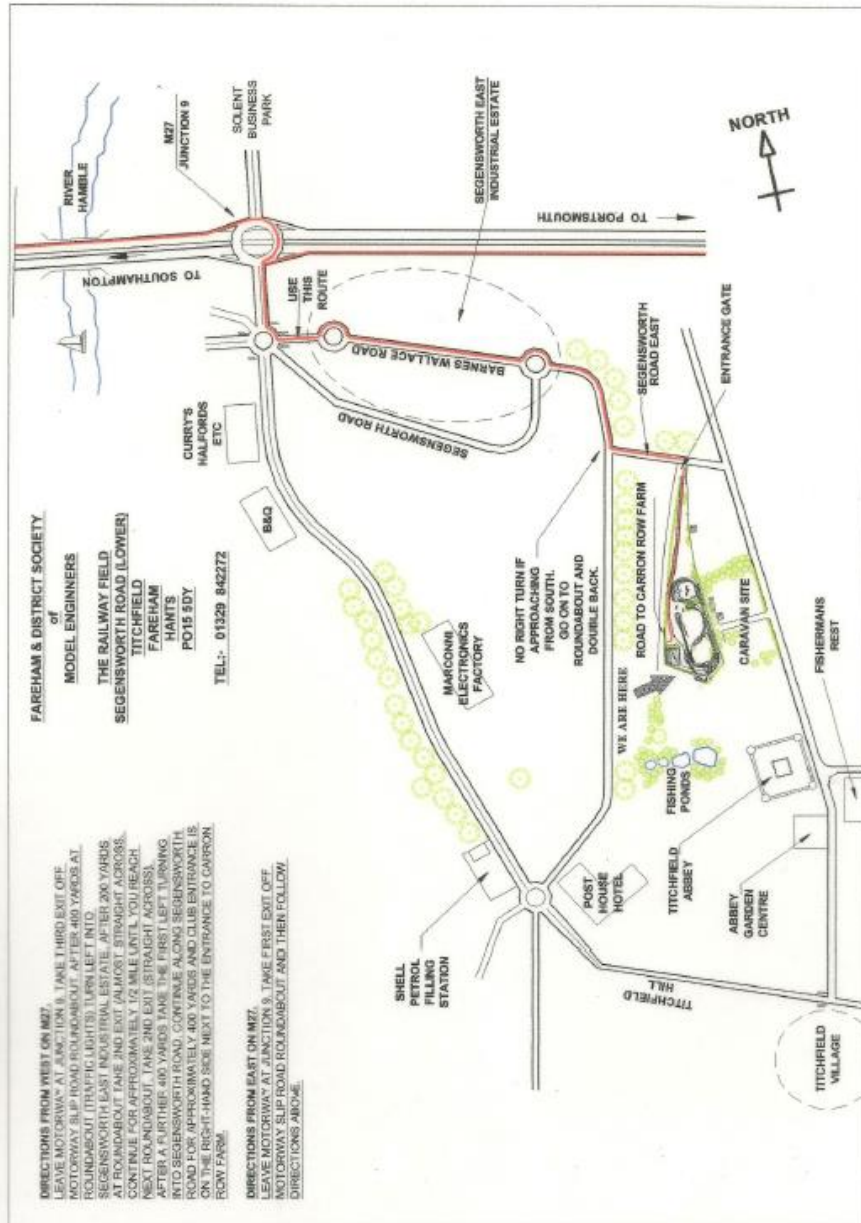
POINTS of CONTACT

Organiser	- Keith Searle
1st Aider's	- Pete Hollands
	- David Ward
Safety Issues	- Chris Dore
Garden Railway	- David Ward
Boating	- Ken Manchip
Locomotives	- Clive Addic (Steaming Bay)
	- Toby Bishop (Station Master)

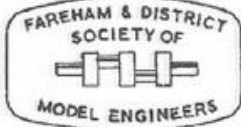
Weather permitting - the members of Fareham hope you enjoy your visit and have a safe journey home

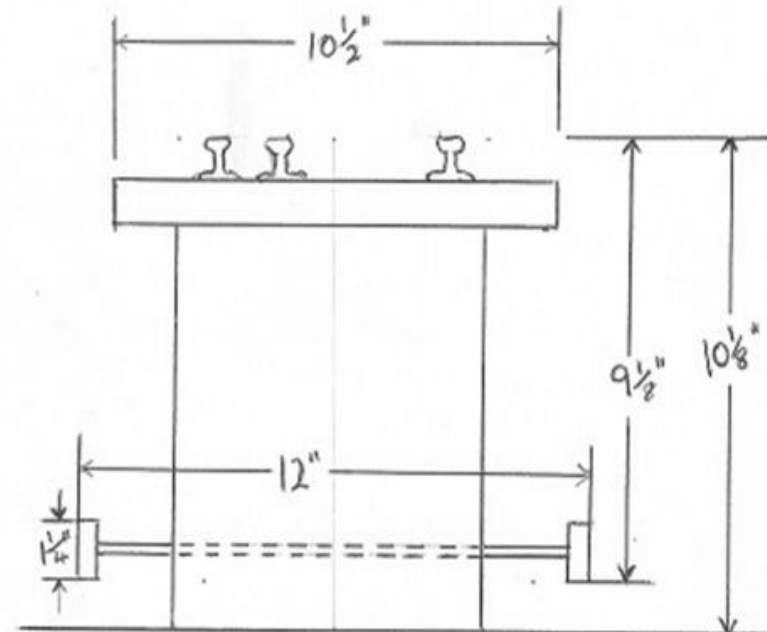


Spring Rally at Fareham & District SME



Spring Rally at Fareham & District SME

FAREHAM and DISTRICT SOCIETY of MODEL ENGINEERS		
 FAREHAM & DISTRICT SOCIETY OF MODEL ENGINEERS Established 1970	RAISED LEVEL 5" & 3 1/2" GAUGE TRACK DIMENSIONS	Fareham and District Society of Model Engineers, Segensworth Road, Fareham, Hampshire, PO15 5DZ www.fdsme.org.uk



NB: Vertical measurements are from the top of the rail.
 These are maximum distances and a clearance must be allowed on all trolleys.
 An anti-tip rail is fitted to the track for its entire length with a centre height of 8 1/2 inches.